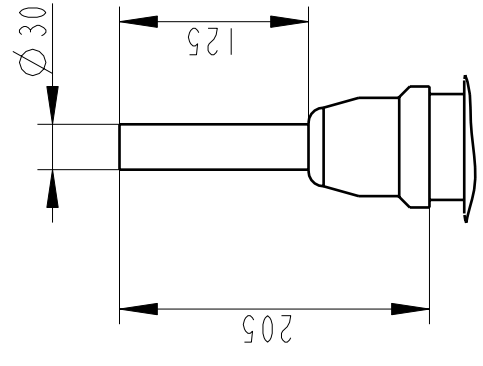
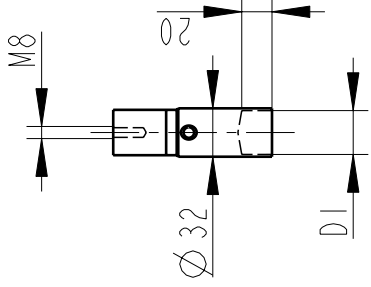


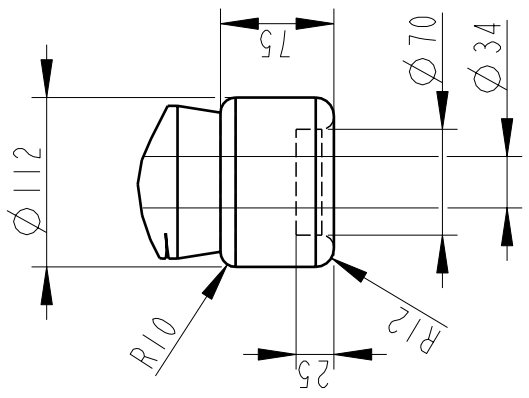
**OUTER TERMINAL**



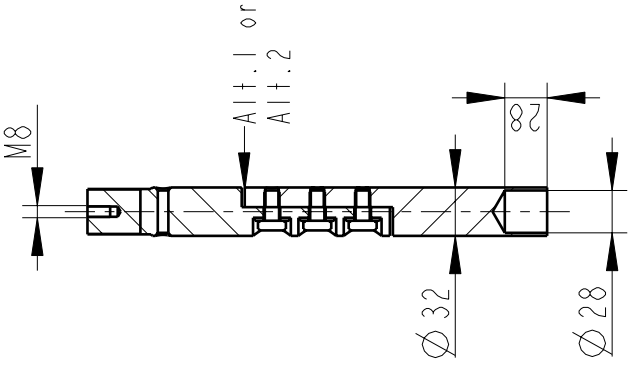
**INNER TERMINAL FOR STRANDED CABLE**



**END SHIELD**



**SOLID ROD CONNECTOR**



The solid rod can be divided either:  
 Alt.1: 20mm below the bushing flange or  
 Alt.2: 20mm below the upper end of the bottom porcelain

**Bushing Data:**

Rated Voltage	52	kV
Phase to Ground Voltage	52	kV
Dry Lightning Impulse 1,2/50µs	250	kV
Wet power frequency AC	105	kV
Routine test lmin dry 50Hz	120	kV
Rated Current	1250	A
Creepage Distance	1500±50	mm
Creepage Distance Protected	580	mm
Mass	33	kg

**Ordering Data:**

<b>BUSHING</b>	COLOUR AIR INSULATOR	
LF123169-K	BROWN	
-L	LIGHT GREY	
<b>OUTER TERMINAL</b>		
LF 170 002-B	Cu, Ø 30, L=125	
LF 170 001-B	Al, Ø 30, L=125	
OTHER TYPES ON REQUEST		
<b>INNER TERMINAL FOR STRANDED CABLE</b>		
<b>For brazing</b>	Conductor area	D1
LF 170 011-T	up to 285mm <sup>2</sup>	Ø 29
LF 170 011-V	Undrilled with pilot hole Ø 5	
<b>SOLID ROD CONNECTOR</b>		
LF 170 052 -BG	for Alt.1	
LF 170 052 -BE	for Alt.2	

<b>ABB Components</b> Ludvika, Sweden	
No. U/L/S/AC	kv tr A 50/60 Hz kv
M	kg L mm V
C1	pf Tan δ r
C2	pf Tan δ r

Based on	Reg. No.
Prepared	Responsible department
LÖV Nord	COM/BK
Approved	Take over department
Johansson	Database
Design engineering review	
Hedlund	

Title	Language
GOB 250-1250-0.5	
WITH OIL LEVEL GAUGE	
SHORT END SHIELD	
Page	1(1)
Document No.	2751369-179

**ABB** ABB Components

We reserve all rights in this document and in the information contained therein. Reproduction, use or disclosure to third parties without express authority is strictly forbidden. ©ABB